

## Horizontal Packaged System

### Saving the Planet While Saving Space

Now you can be environmentally conscious without sacrificing valuable living space.

TETCO geothermal systems offer the best of both worlds. The US Environmental Protection Agency (EPA) and Natural Resources Canada both recognize geothermal systems as the most environmentally friendly and energy efficient heating and cooling systems on the market today. The TETCO ES4 Series horizontal packaged unit is designed to save maximum energy and space, all while providing reliable comfort.



The earth absorbs nearly half of the sun's energy. TETCO geothermal systems transfer the heat found in the ground into your home during cooler temperatures and pull heat from your home during warmer temperatures – all at a fraction of the cost of conventional systems. Unlike natural gas, fuel oil or propane systems, no fossil fuels are burned. Essentially, it creates no pollution or other environmentally harmful emissions.

Finally, a heating and cooling system with a conscience: **tetcogeothermal**



## Unit Performance (Two-Stage)

Model	Capacity	Heating		Cooling	
		Btu/hr	COP	Btu/hr	EER
THT024	Full Load	19,000	3.4	22,200	15.4
	Part Load	15,000	3.8	17,400	18.8
THT036	Full Load	28,500	3.4	33,400	14.9
	Part Load	22,200	3.8	25,700	19.2
THT048	Full Load	37,800	3.5	45,000	15.1
	Part Load	28,400	3.7	36,300	19.1
THT060	Full Load	45,600	3.4	54,600	14.8
	Part Load	36,400	3.7	44,100	19.3

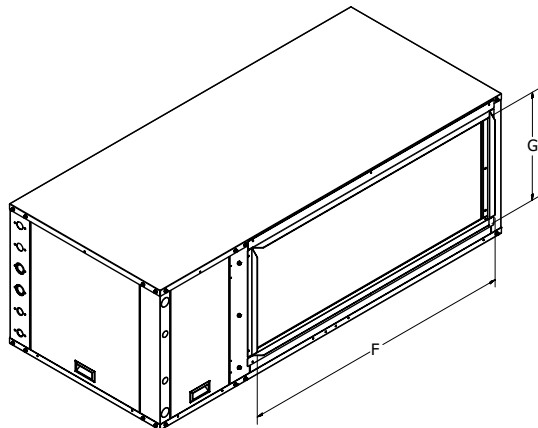
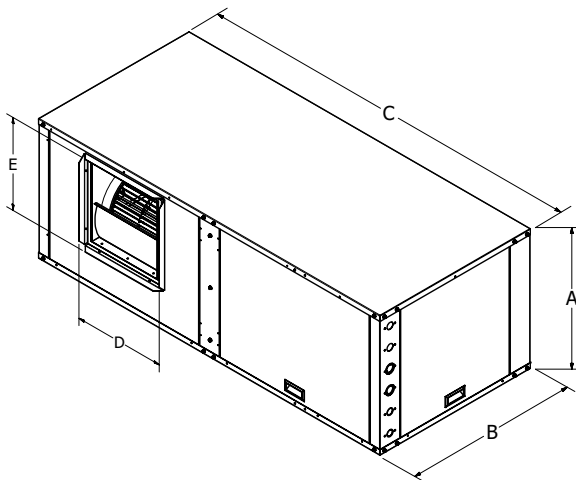
**Notes:**

Rated in accordance with AHRI/ISO standard 13256-1, which includes pump penalties.  
 Heating capacities based on 68.0°F DB, 59.0°F WB entering air temperature.  
 Cooling capacities based on 80.6°F DB, 66.2°F WB entering air temperature.  
 Entering water temperatures Full Load: 32°F heating / 77°F cooling.  
 Entering water temperatures Part Load: 41°F heating / 68°F cooling.

## Unit Dimensional Data

Model	Unit Dimensional Data			Supply Air		Return Air	
	A	B	C	D	E	F	G
024	22	26	54	12	14	33.4	16.6
036	22	28	66	16	14	45.4	16.6
048	24	30	68	16	16	47.4	18.7
060	24	30	68	16	16	47.4	18.7

All dimensions in inches



## Unit Features

- A durable *stainless steel drain* pan is standard on all TETCO horizontal models. This means no corrosion and a long life span.
- TETCO uses only *Copeland® scroll compressors*. This proven compressor technology ensures better reliability due to fewer moving parts.
- *Digital controls* insure proper operation and a variety of field selectable settings for each installation. Advanced safety controls help protect the equipment.
- DSH feature (*Hot Water Generator*) is standard with all TETCO units. This allows the capture of free unused heat, typically cutting hot water costs by 30 - 50%.
- All TETCO two-stage equipment utilize *ECM blower motors*. These variable speed motors ensure quiet start up and operate at a fraction of the cost of a conventional blower motor.
- *Condensate overflow sensor* protects against potential overflows due to clogged drains.
- TETCO has you covered with various *warranty options* to protect your investment. Talk to your dealer to learn more.



Enertech is continually working to improve its products. As a result, the design and specifications of each product may change without notice and may not be as described herein.



2506 South Elm Street  
 Greenville, IL 62246